

# WHEN WE CHOOSE TOGETHER, WE CHOOSE RIGHT.

The good thing about a family making decisions together  
is that you always make the right ones.  
And when you choose a car together, you'll find that  
the Marazzo is the right one for you.  
With ample space, unmatched safety, a smooth ride,  
and the coolest, quietest cabin in its class.  
Bring home the Marazzo,  
and discover the joys of being together.



# All the space you need.

- Best-in-class shoulder room in 1<sup>st</sup> and 2<sup>nd</sup> rows
- Best-in-class leg room in 3<sup>rd</sup> row
- Large luggage space of 680 litre with 3<sup>rd</sup> row folded down
- One-touch tumble down 2<sup>nd</sup> row seat



Best-in-class shoulder room in 1<sup>st</sup> and 2<sup>nd</sup> rows



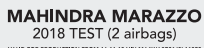
Luggage space of 680 litre

# Safety first. First in safety.

India's safest MPV with 4-Star Safety Rating by GNCAP.

- Dual airbags
- First-in-class 4-wheel disc brakes
- Robust Body-on-Frame design
- ISOFIX child seat

GLOBAL NCAP



MAHINDRA MARAZZO

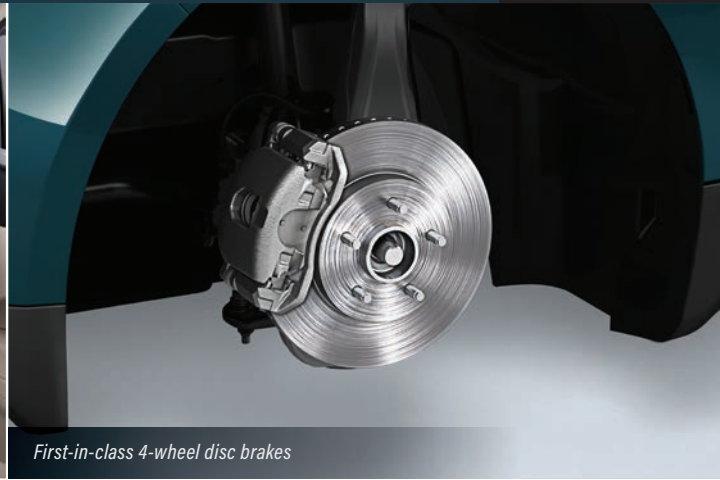
2018 TEST (2 airbags)

VALID FOR PRODUCTION FROM 14.11.18 VPM MA1WAZES1/2011/2023

#SAFERCARSFORINDIA



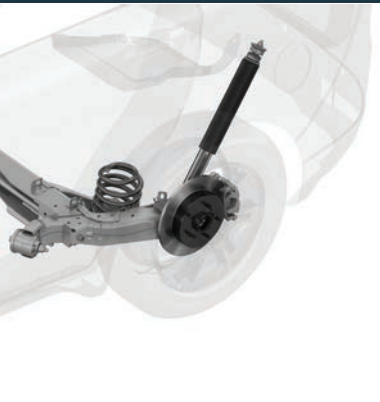
Dual airbags



First-in-class 4-wheel disc brakes

# A comfortable drive. Always.

- Best-in-class smooth ride with long rear suspension travel
- Quietest cabin in its class
- Industry first Surround Cool Technology
- Fully automatic temperature control



Best-in-class smooth ride



Quietest cabin in its class



Industry 1<sup>st</sup> Surround Cool Technology



Electric power steering

## Smooth manoeuvring. Easy parking.

- Front-wheel drive
- Electric power steering
- Short turning radius of 5.25 m



Front-wheel drive

## A rewarding MPV.

- Lowest service cost of 58 paise/km for scheduled maintenance
- Standard warranty of 3 years/1 00 000 km\*



## The fully-loaded Marazzo M6+

- 43.18 cm alloys
- 17.78 cm touchscreen infotainment system
- FATC with Surround Cool Technology
- Rear view camera with adaptive guidelines
- Fog lamps with cornering lamps
- Auto up/down window for driver



Futuristic cluster with purple illumination



17.78 cm touchscreen infotainment system



Rear view camera

## MARAZZO FEATURE MATRIX

Technology			
Features	M2	M4+	M6+
18 cm Colour Touch Screen Infotainment Display with GPS, USB (Audio/Video), Bluetooth Audio, Handsfree Call, iPod Connectivity, Picture Viewer & Configurable Wallpaper	-	-	√
Audio System with FM/AM+AUX+USB+iPOD+MP3	-	10.66 cm Audio System	17.78 cm Resistive Feather Touch
Video Playback through USB	-	-	√
Turn by Turn Navigation Indicator in Cluster (with onboard Navigation)	-	-	√
Bluetooth Connectivity - Hands-free Call, Music	-	√	√
Internal Memory	-	-	1GB
Ecosense	-	-	√
Mahindra BLUE SENSE App	-	√	√
Voice Messaging System (alerts)	-	√	√
4-Speakers	-	√	√
Eco Mode	√	√	√
Driver Information System (DIS)	10.66 cm Monochrome IBN Negative Screen	10.66 cm Monochrome IBN Negative Screen	10.66 cm Colour TFT Screen
Personal reminder	-	-	√
Service Reminder	√	√	√
Safety and Security			
Dual Airbags (Driver & Co-driver)	√	√	√
Passenger Airbag Off Switch	√	√	√
ABS with Electronic Brake Distribution(EBD)	√	√	√
Disc Brakes on All Wheels	√	√	√
ISOFIX Child Seat Mount	√	√	√
Child Safety Lock on Rear Doors	√	√	√
Front & Rear Fog Lamps (with access cover for tow hook)	-	-	√
Rear Camera with Steering Adaptive Parking Guidelines Display	-	-	√
Impact & Speed Sensing Auto Door Lock	√	√	√
Engine Immobilizer	√	√	√
Car Theft Alarm	-	-	√
Rear Defogger with Auto Timer	-	√	√
Driver & Co-driver Seatbelt Reminder	√	√	√
Adjustable Head Restraint	√	√	√
Side Impact Beams	√	√	√
Door Ajar Warning	Tell-tale for all doors & sound for all doors	Tell-tale for all doors & sound for all doors	Tell-tale for all doors & sound for all doors
Crumple Zones for Crash Protection	√	√	√
Overspeed Warning (acoustic for 3 s) @ 80 km/h & 120 km/h	√	√	√
Style			
Headlamps	Twin Chamber Multi-Focal Reflectors Halogen	Twin Chamber Multi-Focal Reflectors Halogen	Twin Chamber - Single Projector Low Beam
Follow-me-home Headlamps	-	-	√
Cornering Lamps	-	-	√
Rear Reflectors	√	√	√
Signature Mahindra Grille			Yes - With Chrome Inserts
Lower Grille Inserts with Accent Bar	Grille - Black	Grille - Black	Grille - Chrome
	Bar - Made in colour	Bar - Made in colour	Bar - Bright
Dual-tone Front & Rear Bumper	√	√	√
Body Coloured ORVMs with (integrated) Side Turn Indicators	Body coloured - No	√	√
	Side Turn Indicators - Yes	√	√
Integrated Temperature Sensor	-	-	√
Body Coloured Door Handles	-	-	√
Chrome Accent on Door Handles	-	-	√
Door Sill Cladding with Integrated Mud Flaps	√	√	√
Door Cladding	-	-	Yes with Chrome Insert
Tailgate Applique	Made in colour-Black	Made in colour-Black	Yes-with Chrome
Roof Antenna	-	Rod type	Rod type
Integrated Rear Spoiler with LED High Mount Stop Lamp	√	√	√
Wheel Type	40.64 cm steel rims	40.64 cm alloys	43.18 cm alloys
Techy Purple & White Illumination Theme	√	√	√
Steering Wheel Finish	Black	Black	Black + Piano Black Decor
Gear Shift Knob Embellishment	-	-	With chrome insert
Door Trims / Inserts	Light grey- Made in colour	Light grey- Made in colour	Light Grey Padded Armrest
Instrument Panel	Blueish Grey- Made in colour	Blueish Grey- Made in colour	Facia with High Gloss paint finish
Chrome Accentuated AC Vents - Front	-	-	√
Comfort and convenience			
Rear A/C with Surround Cool Technology	√	√	√
Fully Automatic Temperature Control	-	-	√
Steering Mounted Audio, Phone & Cluster Controls	-	√	√
Adjustable ORVMs	Manual	Electric	Electric

## MARAZZO FEATURE MATRIX

### Comfort and convenience

Features	M2	M4+	M6+
Electric Power Assisted Steering (EPAS)	√	√	√
Tilttable Steering	√	√	√
Seat Upholstery	Fabric	Fabric	Premium Fabric
Height Adjust	-	Driver Seat	Driver Seat
Multi-point Lumbar Support	-	-	Driver seat & Co-driver seat
Seating Capacity	8 seater (2+3+3)	8 seater (2+3+3)	8 seater (2+3+3)
	7 seater (2+2+3)	7 seater (2+2+3)	7 seater (2+2+3)
2nd Row Captain Seats - 7 Seater	LH Seat 1 touch tumble	LH Seat 1 touch tumble	LH Seat 1 touch tumble
2nd Row Bench Seat - 8 Seater	60:40 split + 40% 1 touch tumble + 60% only flat fold	60:40 split + 40% 1 touch tumble + 60% only flat fold	60:40 split + 40% 1 touch tumble + 60% only flat fold
3rd Row	60:40 split with flat fold only	60:40 split with flat fold only	60:40 split with flat fold only
Boot Space (with all seats open) (litre)	190 (expandable to 1055 litre with 2nd and 3rd row folded)	190 (expandable to 1055 litre with 2nd and 3rd row folded)	190 (expandable to 1055 litre with 2nd and 3rd row folded)
Center Console	With storage compartment and cup holders	With storage compartment and cup holders	Storage bin+Cup holders+tambor door
Power Windows	√	√	Driver-side Window with Auto Up/Down
Remote Keyless Entry	-	√	√
Central Locking including lift gate	√	√	√
First & Second Row Dome Lights (Door Status + Roof Lamp)	√	√	√
Third Row Reading Lamp	-	-	√
Roof Lamp with Theater Effect	√	√	√
Luggage Room Lamp	-	-	√
Vanity Mirror Illumination (Co-Driver Side)	√	√	√
Front Row Arm Rests	√	√	√
Second Row Captain's Seat Arm Rest	Captain - Yes	Captain - Yes	Captain - Yes
	Bench - No	Bench - Yes	Bench - Yes
Center Console with Tambor Door	-	-	√
Power Outlet	Front - 12V Power Socket	Front - 12V Socket + 1 USB	Front - 12V Socket + 1 USB
	Rear - 1 USB (charging only)	Rear - 1 USB (charging only)	Rear - 1 USB (charging only)
Front Media Outlet	-	1 USB + 1 AUX	1 USB + 1 AUX
Rear Wiper & Washer	-	√	√
Illuminated Passenger Side Vanity Mirror	-	-	√
Seat Pockets behind Front Seats	-	-	√
Sunglass Holder	-	-	√
Bottle Holders	2 Fr. + 2 Rr. On Door Trim	2 Fr. + 2 Rr. On Door Trim	2 Fr. + 2 Rr. On Door Trim
Can/Cup Holders	2+2+2	2+2+2+2 (on bench seat centre arm rest)	2+2+2+2 (on bench seat centre arm rest)

# Mahindra

Mahindra & Mahindra Ltd., Automotive Sector, Mahindra Tower,  
3<sup>rd</sup> Floor, Akurli Road, Kandivali (E), Mumbai - 400 101, India.

Tel: 022 - 2884 9588, Fax : 022 - 28468522

SMS 'Marazzo' to 5757577 | www.mahindramarazzo.com

Facebook: facebook.com/MahindraMarazzo | Twitter: twitter.com/mahindramarazzo

YouTube: youtube.com/MahindraMarazzo | Instagram: instagram.com/mahindra.marazzo

# MARAZZO

Mahindra  
**SYOUV**  
Transport. Personalized. Connected.

### COLOURS



ICEBERG WHITE



OCEANIC BLACK



SHIMMERING SILVER



AQUA MARINE

SPECIFICATIONS		
EMISSION	BS VI	
CUBIC CAPACITY	1497 cm <sup>3</sup>	
MAX. POWER (kW @ r/min)	90.2 kW @ 3500 r/min	
MAX. TORQUE (Nm @ r/min)	300 Nm @ 1750-2500 r/min	
TRANSMISSION TYPE	6 speed manual	
SUSPENSION	Front: Double Wishbone	
	Rear: Twist Beam	
FUEL TANK CAPACITY	45 litre	
TYRES	M2, M4+: 215 65 R16	
	M6+: 215 60 R17	
BRAKES	Disc (Front & Rear)	
VEHICLE DIMENSIONS	Length (mm)	4585
	Width (mm)	1866
	Height (mm)	1774
	Wheelbase (mm)	2760
	Minimum Turning Radius (m)	5.25 m

All features mentioned are not available on all models • Accessories shown are not part of standard equipment • Performance figures may differ in conditions other than test conditions • Vehicle body colour may differ from the printed photographs • In view of our policy of continuously improving our products, we reserve the right to alter specifications or designs without prior notice and without liability • We reserve the right to add or delete any feature or element in any of our models without any prior notice and without any liability • Please check model details with your nearest dealer • \*Whichever is earlier • ^Certain features of Emergency Call & Ecosense work with only select mobile operating systems • #The spare tyre does not come with alloy. • All images are for representational purposes only. Actual products may differ.